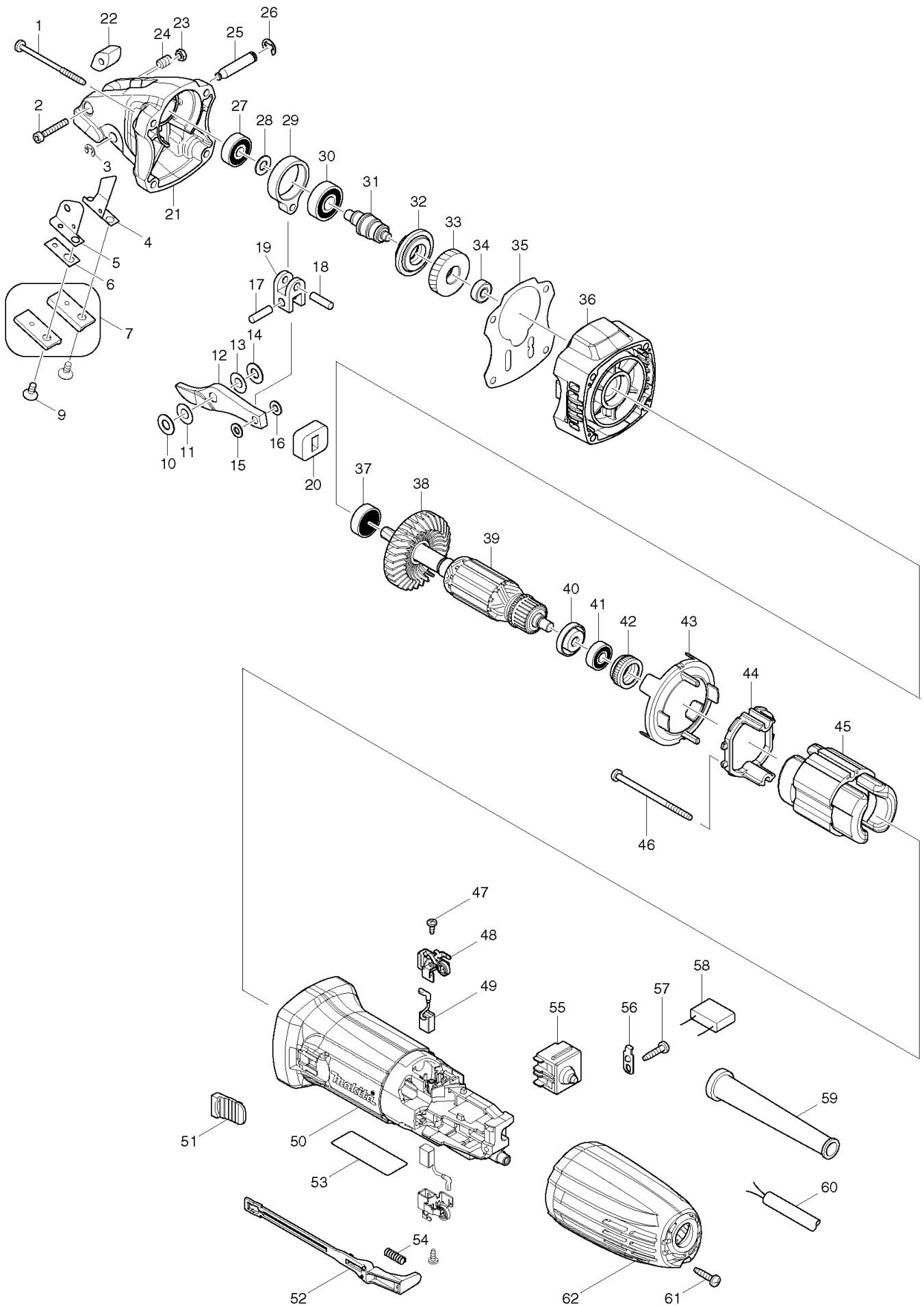


Nr.	Art nr.	Namn
1	266091-3	TAPPING SCREW 4X50
2	922147-9	HEX. SOCKET HEAD BOLT M4X25
3	961011-9	STOP RING E-4
5	343480-0	SLIP PLATE L
6	343481-8	SPACER
7	792533-6	Sivuterät, 1,6 mm
9	251951-2	HEX. SOCKET HEAD BOLT M5X10
10	261065-9	TEFLON WASHER 7
11	253338-4	THIN WASHER 7
12	792534-4	Keskiterä, 1,6 mm
13	253338-4	THIN WASHER 7
14	261065-9	TEFLON WASHER 7
15	267010-2	FLAT WASHER 5
16	267010-2	FLAT WASHER 5
17	256155-1	PIN 5
18	256155-1	PIN 5
19	331329-6	LINK
20	423118-4	DUST COVER
21	140506-7	CRANK HOUSING COMPLETE
22	325727-4	BLOCK
23	252083-8	HEX. LOCK NUT M4-7
24	266085-8	H.S.SET SCREW(FLAT POINT)M6X10
25	256733-7	PIN 7
26	961012-7	STOP RING E-6
27	211027-7	BALL BEARING 627ZZ
28	253133-2	FLAT WASHER 7
29	331273-7	ROD
30	210067-2	BALL BEARING 6000ZZ
31	325948-8	CRANK SHAFT
32	325949-6	SEALING SCREW
33	227731-8	HELICAL GEAR 40
34	210033-9	BALL BEARING 696ZZ
35	442161-4	GASKET
36	140507-5	GEAR HOUSING COMPLETE
37	210005-4	BALL BEARING 608DDW
39	517674-5	ARMATURE ASS'Y 240V
40	681636-0	INSULATION WASHER
41	210062-2	BALL BEARING 607ZZ
42	421868-5	LABYRINTH RUBBER RING 19
43	450796-7	BAFFLE PLATE
44	452073-3	SPACER
45	623549-9	FIELD
46	266004-4	TAPPING SCREW 4X70
47	265954-0	TAPPING SCREW BIND PT3X8
48	643839-4	BRUSH HOLDER 6X9
49	194722-3	Hüllet CB-459
50	450795-9	MOTOR HOUSING
51	418016-5	SWITCH KNOB

52	450797-5	SWITCH LEVER
53	868086-8	JS1601 NAME PLATE
54	233121-5	COMPRESSION SPRING 4
55	650621-4	SWITCH PS10
56	687682-1	STRAIN RELIEF
57	265995-6	TAPPING SCREW 4X18
58	638739-1	CAPACITOR UNIT
59	682566-8	CORD GUARD 10
60	665890-4	POWER SUPPLY CORD 1.0-2-4.0
61	265995-6	TAPPING SCREW 4X18
62	450794-1	REAR COVER



Nr.	Art nr.	Namn
1	266091-3	TAPPING SCREW 4X50
2	922147-9	HEX. SOCKET HEAD BOLT M4X25
3	961011-9	STOP RING E-4
5	343480-0	SLIP PLATE L
6	343481-8	SPACER
7	792533-6	Sivuterät, 1,6 mm
9	251951-2	HEX. SOCKET HEAD BOLT M5X10
10	261065-9	TEFLON WASHER 7
11	253338-4	THIN WASHER 7
12	792534-4	Keskiterä, 1,6 mm
13	253338-4	THIN WASHER 7
14	261065-9	TEFLON WASHER 7
15	267010-2	FLAT WASHER 5
16	267010-2	FLAT WASHER 5
17	256155-1	PIN 5
18	256155-1	PIN 5
19	331329-6	LINK
20	423118-4	DUST COVER
21	140506-7	CRANK HOUSING COMPLETE
22	325727-4	BLOCK
23	252083-8	HEX. LOCK NUT M4-7
24	266085-8	H.S.SET SCREW(FLAT POINT)M6X10
25	256733-7	PIN 7
26	961012-7	STOP RING E-6
27	211027-7	BALL BEARING 627ZZ
28	253133-2	FLAT WASHER 7
29	331273-7	ROD
30	210067-2	BALL BEARING 6000ZZ
31	325948-8	CRANK SHAFT
32	325949-6	SEALING SCREW
33	227731-8	HELICAL GEAR 40
34	210033-9	BALL BEARING 696ZZ
35	442161-4	GASKET
36	140507-5	GEAR HOUSING COMPLETE
37	210005-4	BALL BEARING 608DDW
39	517674-5	ARMATURE ASS'Y 240V
40	681636-0	INSULATION WASHER
41	210062-2	BALL BEARING 607ZZ
42	421868-5	LABYRINTH RUBBER RING 19
43	450796-7	BAFFLE PLATE
44	452073-3	SPACER
45	623549-9	FIELD
46	266004-4	TAPPING SCREW 4X70
47	265954-0	TAPPING SCREW BIND PT3X8
48	643839-4	BRUSH HOLDER 6X9
49	194722-3	Hillet CB-459
50	450795-9	MOTOR HOUSING
51	418016-5	SWITCH KNOB

52	450797-5	SWITCH LEVER
53	868086-8	JS1601 NAME PLATE
54	233121-5	COMPRESSION SPRING 4
55	650621-4	SWITCH PS10
56	687682-1	STRAIN RELIEF
57	265995-6	TAPPING SCREW 4X18
58	638739-1	CAPACITOR UNIT
59	682566-8	CORD GUARD 10
60	665890-4	POWER SUPPLY CORD 1.0-2-4.0
61	265995-6	TAPPING SCREW 4X18
62	450794-1	REAR COVER